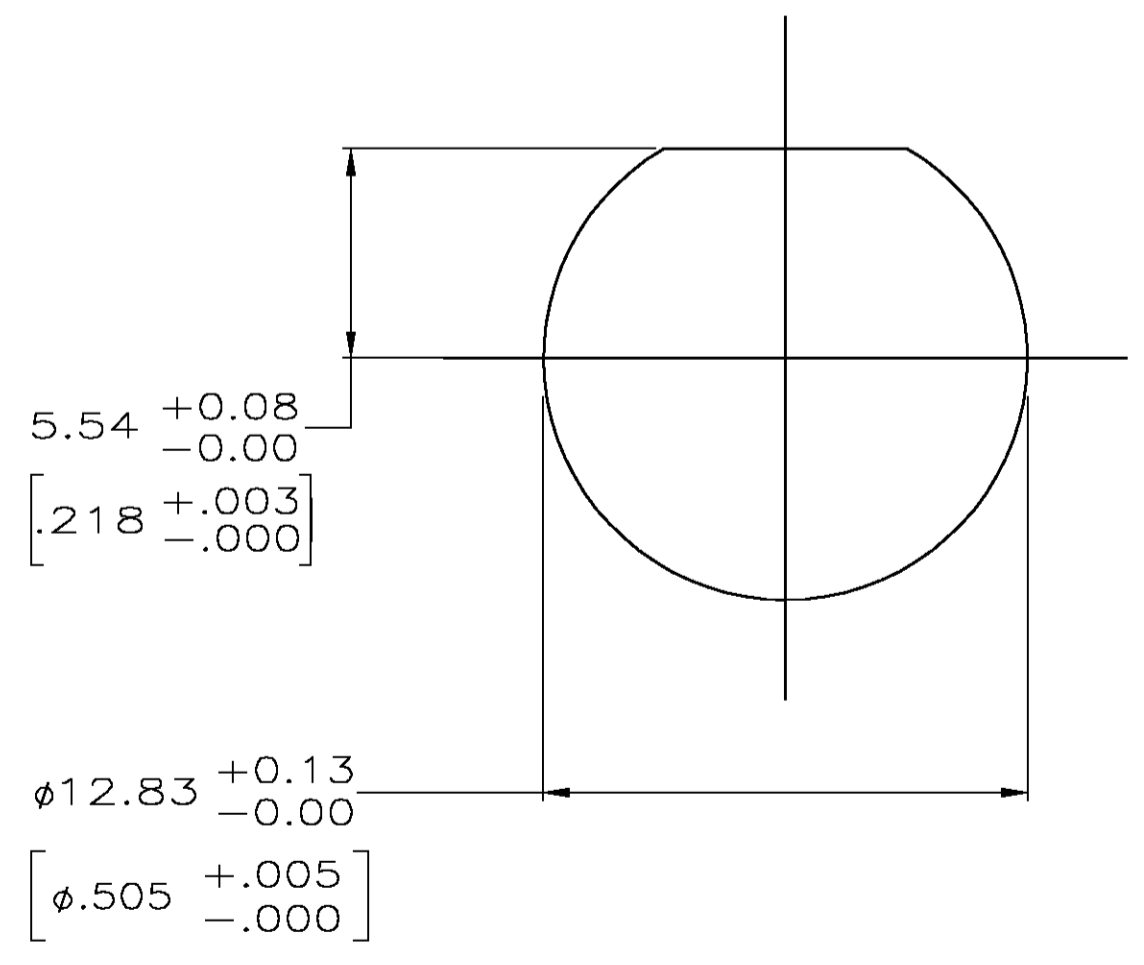
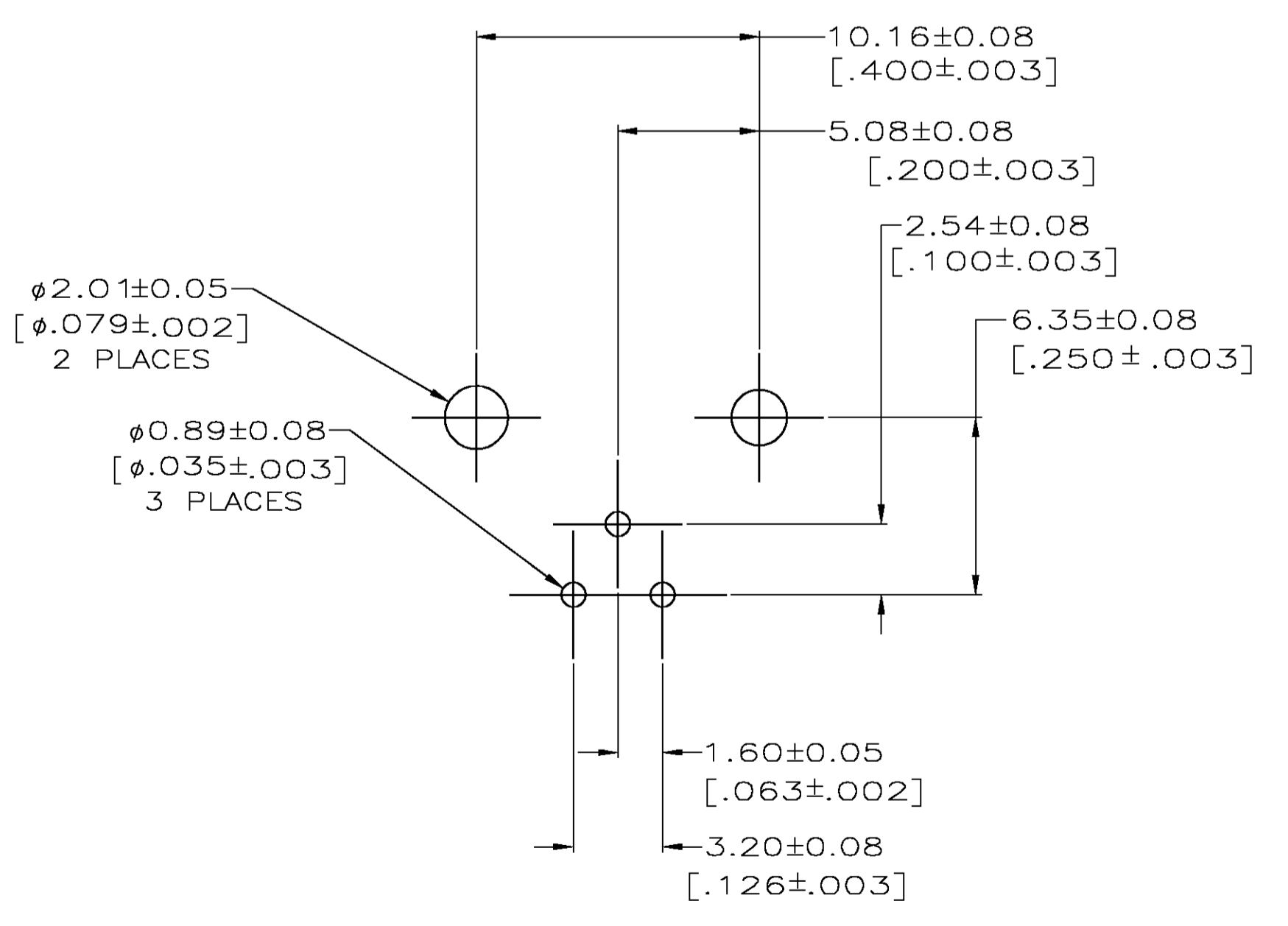


- 1 POLYESTER, PBT, 15% GLASS FIBER REINFORCED, NATURAL, PER MIL-M-24519.
- 2 ZINC PER QQ-Z-363.
- 3 POLYMETHYLPENTENE, GENERAL PURPOSE.
- 4 PHOSPHOR BRONZE PER QQ-B-750.
- 5 BRASS PER QQ-B-626.
- 6 BRASS PER ASTM-B-453.
- 7 NICKEL PL PER QQ-N-290, 3.81  $\mu\text{m}$  [.000150] MINIMUM THICK
- 8 GOLD PL PER MIL-G-45204, 0.76  $\mu\text{m}$  [.000030] MINIMUM THICK
- 9 TIN PL PER ASTM-B-545 3.81  $\mu\text{m}$  [.000150] MINIMUM THICK



PCB CONFIGURATION

RECOMMENDED PANEL CUTOUT

228686-1  
PART NO

THIS DRAWING IS A CONTROLLED DOCUMENT.		DMN R. E. RUTH 10/30/90	Tyco Electronics Corporation Harrisburg, PA 17105-3608
DIMENSIONS: INCHES		CHK A. GABANY 3-8-91	
TOLERANCES UNLESS OTHERWISE SPECIFIED:		APVD A. GABANY 3-8-91	NAME JACK ASSEMBLY, RIGHT ANGLE, PCB, SERIES TWIN BNC
0 PLG ± -	1 PLG ± -	APPLICATION SPEC	SIZE A1
2 PLG ± 0.20 [.008]	3 PLG ± -	RESTRICTED TO	SCALE 5:1
4 PLG ± -	ANGLES ± -	WEIGHT	DRAWING NO 00779
MATERIAL FINISH		CUSTOMER DRAWING	REV F
		SCALE 5:1	SHEET 1 OF 1